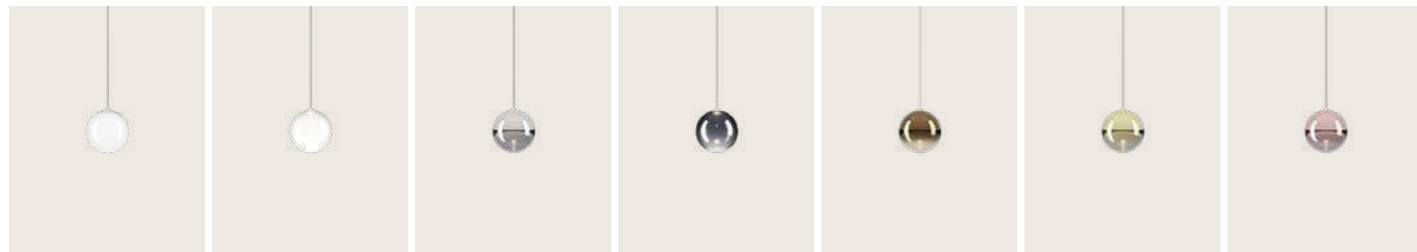
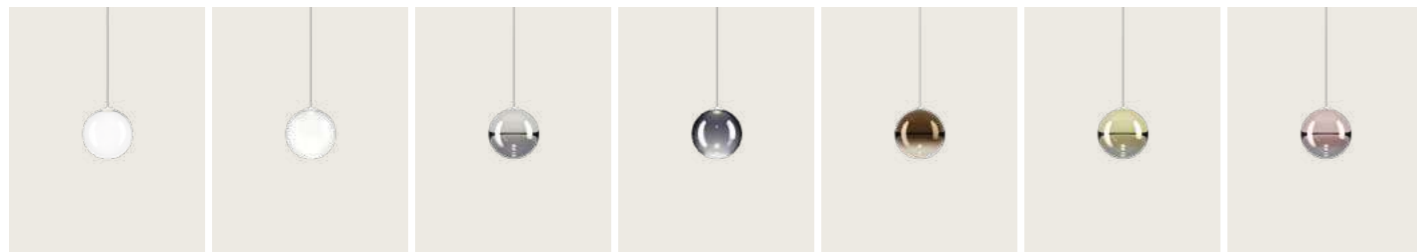


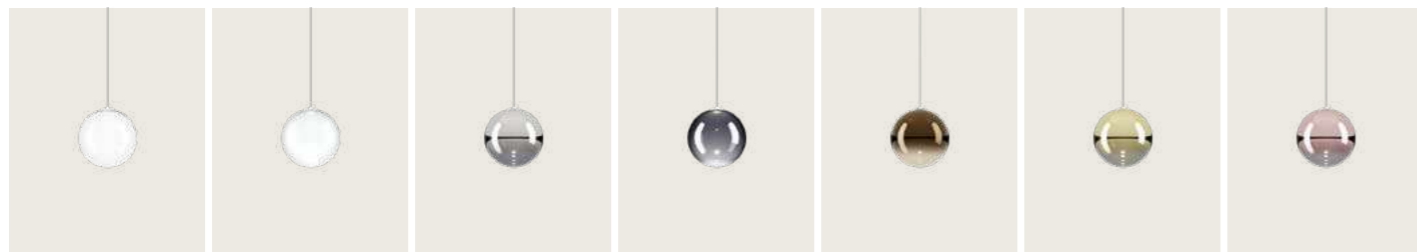
Random Solo 10 Cluster suspension lamp NEW LAMP



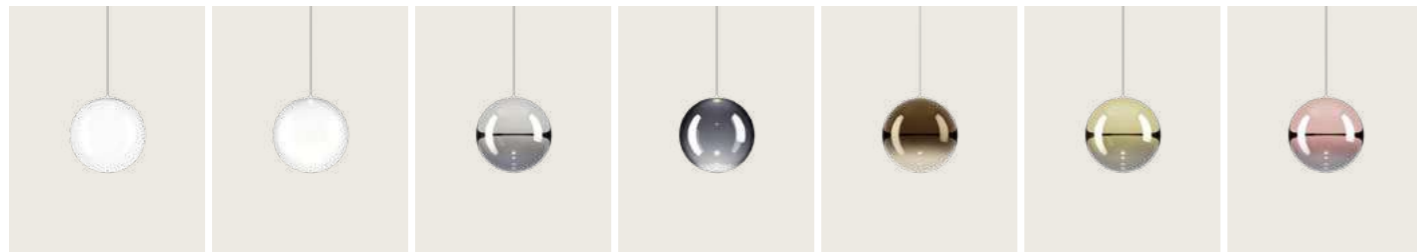
Random Solo 12 Cluster suspension lamp



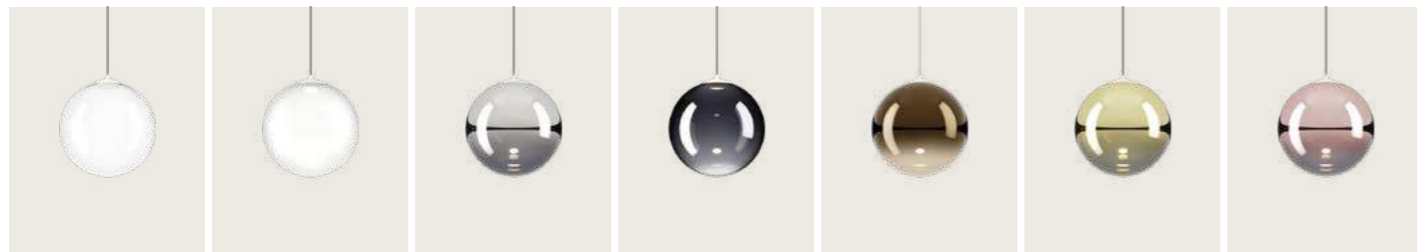
Random Solo 14 Cluster suspension lamp



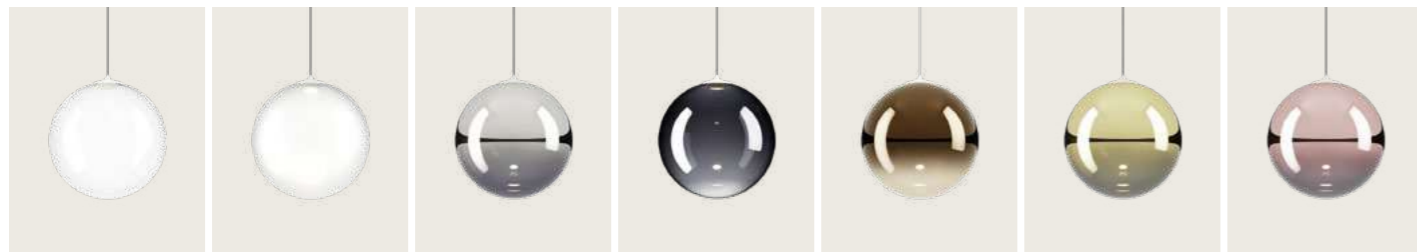
Random Solo 18 Cluster suspension lamp



Random Solo 23 Cluster suspension lamp

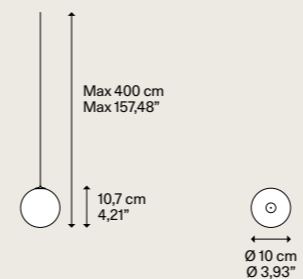


Random Solo 28 Cluster suspension lamp



CATEGORY CLUSTER SUSPENSION LAMP

Random Solo 10 NEW



DESIGN Chia-Ying Lee, 2024

Blown glass diffuser Diffusore in vetro soffiato	Code Codice	A	Code Codice	B
Clear Trasparente	17110 0027U		17110 0030U	
Frosted White Bianco Satinato	17110 1327U		17110 1330U	
Chrome Cromo	17110 4027U		17110 4030U	
Glossy Smoke Fumo Lucido	17110 4327U		17110 4330U	
Glossy Bronze Bronzo Lucido	17110 4627U		17110 4630U	
Gold Oro	17110 5027U		17110 5030U	
Rose Gold Oro Rosa	17110 5527U		17110 5530U	

Light source
Sorgente luminosa

LED
2700 K
3 W
150 lm
350 mA
CRI 90
MacAdam 3-Step

LED included
LED incluso

Light source
Sorgente luminosa

LED
3000 K
3 W
160 lm
350 mA
CRI 90
MacAdam 3-Step

LED included
LED incluso

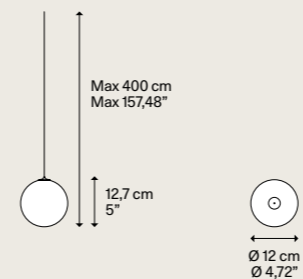
Net weight 0,165 kg
Peso netto 0,363 lbs

Boxes
Colli 2

IP20 Energy Saving Dim Triac

CATEGORY CLUSTER SUSPENSION LAMP

Random Solo 12



DESIGN Chia-Ying Lee, 2020

Blown glass diffuser Diffusore in vetro soffiato	Code Codice	A	Code Codice	B
Clear Trasparente	17111 0027U		17111 0030U	
Frosted White Bianco Satinato	17111 1327U		17111 1330U	
Chrome Cromo	17111 4027U		17111 4030U	
Glossy Smoke Fumo Lucido	17111 4327U		17111 4330U	
Glossy Bronze Bronzo Lucido	17111 4627U		17111 4630U	
Gold Oro	17111 5027U		17111 5030U	
Rose Gold Oro Rosa	17111 5527U		17111 5530U	

Light source
Sorgente luminosa

LED
2700 K
3 W
150 lm
350 mA
CRI 90
MacAdam 3-Step

LED included
LED incluso

Light source
Sorgente luminosa

LED
3000 K
3 W
160 lm
350 mA
CRI 90
MacAdam 3-Step

LED included
LED incluso

Net weight 0,25 kg
Peso netto 0,55 lbs

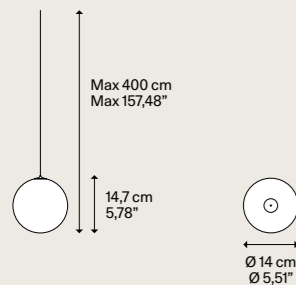
Boxes
Colli 2

IP20 Energy Saving Dim Triac

Suspension lamps must be installed on a canopy ▶ P. 434-441
Le lampade a sospensione devono essere installate su rosone ▶ P. 434-441

CATEGORY CLUSTER SUSPENSION LAMP

Random Solo 14



DESIGN Chia-Ying Lee, 2020

Blown glass diffuser
Diffusore in vetro soffiato

	Code Codice ^A	Code Codice ^B
Clear Trasparente	17112 0027U	17112 0030U
Frosted White Bianco Satinato	17112 1327U	17112 1330U
Chrome Cromo	17112 4027U	17112 4030U
Glossy Smoke Fumo Lucido	17112 4327U	17112 4330U
Glossy Bronze Bronzo Lucido	17112 4627U	17112 4630U
Gold Oro	17112 5027U	17112 5030U
Rose Gold Oro Rosa	17112 5527U	17112 5530U

Light source
Sorgente luminosa ^A

LED
2700 K
3 W
150 lm
350 mA
CRI 90
MacAdam 3-Step

LED included
LED incluso

Light source
Sorgente luminosa ^B

LED
3000 K
3 W
160 lm
350 mA
CRI 90
MacAdam 3-Step

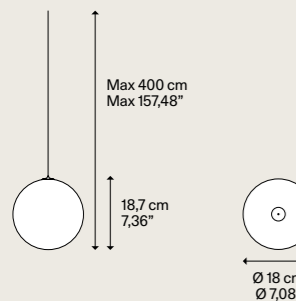
LED included
LED incluso

Net weight 0,32 kg
Peso netto 0,71 lbs

Boxes 2
Colli

IP20 Energy Saving Dim Triac

Random Solo 18



Blown glass diffuser
Diffusore in vetro soffiato

	Code Codice ^A	Code Codice ^B
Clear Trasparente	17113 0027U	17113 0030U
Frosted White Bianco Satinato	17113 1327U	17113 1330U
Chrome Cromo	17113 4027U	17113 4030U
Glossy Smoke Fumo Lucido	17113 4327U	17113 4330U
Glossy Bronze Bronzo Lucido	17113 4627U	17113 4630U
Gold Oro	17113 5027U	17113 5030U
Rose Gold Oro Rosa	17113 5527U	17113 5530U

Light source
Sorgente luminosa ^A

LED
2700 K
3 W
150 lm
350 mA
CRI 90
MacAdam 3-Step

LED included
LED incluso

Light source
Sorgente luminosa ^B

LED
3000 K
3 W
160 lm
350 mA
CRI 90
MacAdam 3-Step

LED included
LED incluso

Net weight 0,80 kg
Peso netto 1,76 lbs

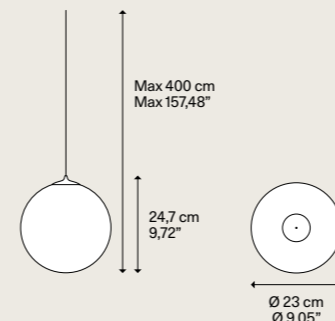
Boxes 2
Colli

IP20 Energy Saving Dim Triac

Suspension lamps must be installed on a canopy ▶ P. 434-441
Le lampade a sospensione devono essere installate su rosone ▶ P. 434-441

CATEGORY CLUSTER SUSPENSION LAMP

Random Solo 23



DESIGN Chia-Ying Lee, 2020

Blown glass diffuser
Diffusore in vetro soffiato

	Code Codice ^A	Code Codice ^B
Clear Trasparente	17114 0027U	17114 0030U
Frosted White Bianco Satinato	17114 1327U	17114 1330U
Chrome Cromo	17114 4027U	17114 4030U
Glossy Smoke Fumo Lucido	17114 4327U	17114 4330U
Glossy Bronze Bronzo Lucido	17114 4627U	17114 4630U
Gold Oro	17114 5027U	17114 5030U
Rose Gold Oro Rosa	17114 5527U	17114 5530U

Light source
Sorgente luminosa ^A

LED
2700 K
4 W
450 lm
350 mA
CRI 90
MacAdam 3-Step

LED included
LED incluso

Light source
Sorgente luminosa ^B

LED
3000 K
4 W
480 lm
350 mA
CRI 90
MacAdam 3-Step

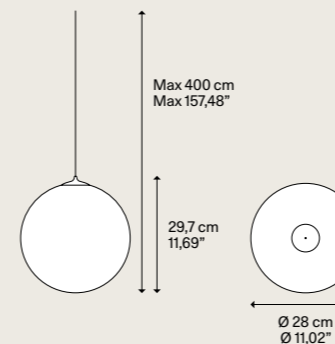
LED included
LED incluso

Net weight 1,10 kg
Peso netto 2,43 lbs

Boxes 2
Colli

IP20 Energy Saving Dim Triac

Random Solo 28



Blown glass diffuser
Diffusore in vetro soffiato

	Code Codice ^A	Code Codice ^B
Clear Trasparente	17115 0027U	17115 0030U
Frosted White Bianco Satinato	17115 1327U	17115 1330U
Chrome Cromo	17115 4027U	17115 4030U
Glossy Smoke Fumo Lucido	17115 4327U	17115 4330U
Glossy Bronze Bronzo Lucido	17115 4627U	17115 4630U
Gold Oro	17115 5027U	17115 5030U
Rose Gold Oro Rosa	17115 5527U	17115 5530U

Light source
Sorgente luminosa ^A

LED
2700 K
4 W
450 lm
350 mA
CRI 90
MacAdam 3-Step

LED included
LED incluso

Light source
Sorgente luminosa ^B

LED
3000 K
4 W
480 lm
350 mA
CRI 90
MacAdam 3-Step

LED included
LED incluso

Net weight 1,60 kg
Peso netto 3,52 lbs

Boxes 2
Colli

IP20 Energy Saving Dim Triac

Suspension lamps must be installed on a canopy ▶ P. 434-441
Le lampade a sospensione devono essere installate su rosone ▶ P. 434-441